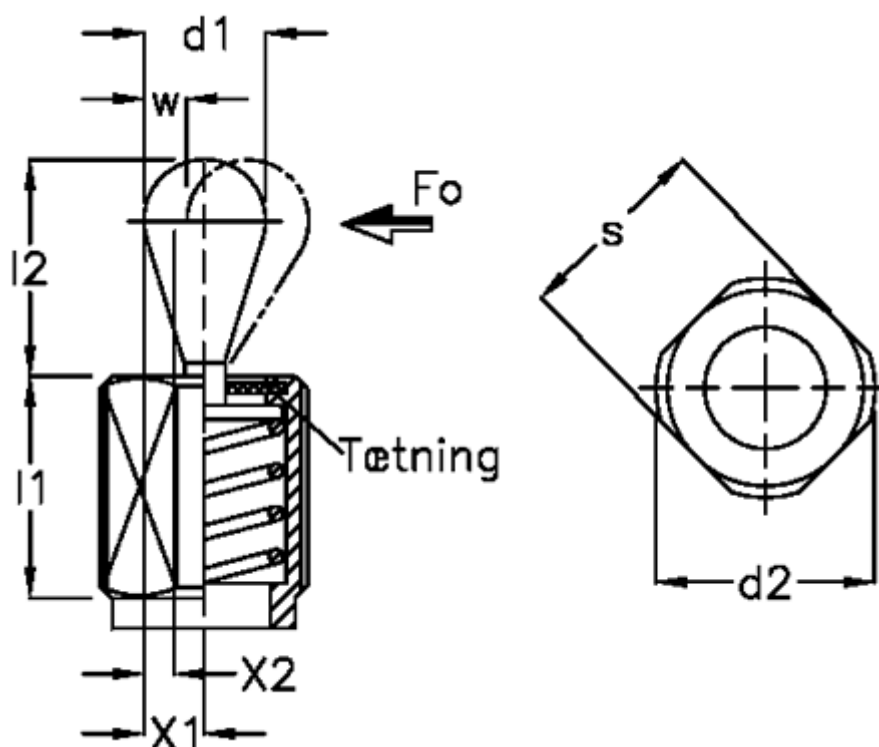


Article number: 20113046

Description: E+G

Side thrust pin GN 713-6-150-11,5-SB

Measures



$a1 = 3.0$

$a2 = 7.7$

$d1 = 6$

$d2 = M12$

$K = 1,5 \times 45$ degrees

$l1 = 11.5$

$l2 = 10.7$

$l3 = 10$

$s = 3$

screw driver = GN 713.1-5,6

Side power N at $l2 = 150$

$W = 1.8$

$x1 = 1.9$

$x2 = 1.4$